



Model 30573-0000

## ACCUMULATOR TANK

### FEATURES

- Internal Bladder
- Smoother and More Even Flow
- Quieter Water System
- Better Temperature Control
- Longer Pump Life
- Lower Battery Drain
- Simply Fitted to New or Existing Systems
- Compact Size
- Snap-in Port Fittings include both:
  - 1/2" Barbed Hose Fittings and
  - 1/2" Threaded Hose Fittings



Model 30573-0000

### SPECIFICATIONS

|                          |  |
|--------------------------|--|
| Tank:                    | Hygienic, Light, Compact, Impact and Pressure Resistant Plastic Construction |
| Capacity:                | 1 liter (33 fl oz)   |
| Max. Operating Pressure: | Up to 125 psi (8.6 bar)  |
| Pre-Charge Pressure:     | 10 psi (0.7 bar)   |
| Air Valve:               | Standard Tire Valve  |
| Weight:                  | 1.6 lb (0.7 kg)  |
| Dimensions:              | 13-1/4" (337 mm) x 4-3/4" (119 mm)   |

### IMPROVES MOST AUTOMATIC WATER PRESSURE SYSTEMS

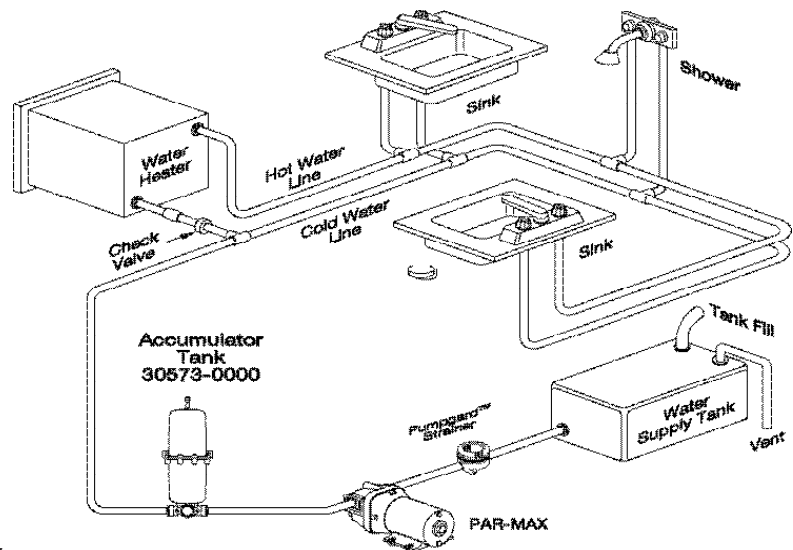
This Accumulator Tank is intended for installation in any pumped water system controlled by a pressure switch. For example, PAR-MAX™ 3 or any Jabsco pressure pumps as found in boats, RV's, motor caravans, coaches and similar applications.

The Accumulator Tank smooths water flow and reduces on/off cycling of the pump by lessening the variation in pressure and flow between the pump and the outlets in the system.

The even flow of water gives better control of hot water temperature especially noticeable with instantaneous gas water heaters and with showers.

The reduced on/off cycling reduces noise from the pump motor, and from shock pressures (pipe hammer). It also reduces battery drain, and gives longer pump life.

### TYPICAL INSTALLATION



### PRECHARGE PRESSURE ADJUSTMENT

The 30573-0000 tank is precharged at 10 psi (0.7 bar). If your pump cut-in pressure is significantly different, you may custom tune the tank to best fit your particular installation. To increase air pressure in tank, shut pump off, open a faucet to relieve system pressure and adjust precharge pressure using ordinary tire gauge and tire pump at valve in end of tank. Pressure should be checked from time to time. To check tank pressure: turn off power to water pump, open a faucet to relieve pressure. Check tank pressure, adjust if necessary. Close faucet and turn on power to pump.

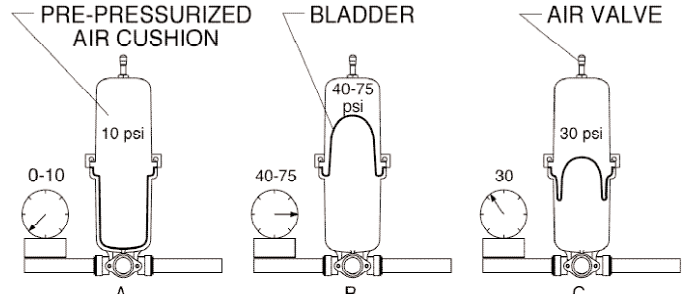
For best results, do not pressurize tank above 10 psi (0.7 bar).

## SAFETY RELIEF VALVE RECOMMENDED

It is recommended that a relief valve with a setting of no more than 125 psi be installed. Often a relief valve is already installed at the water heater. Check its setting. This will protect the system in case the pressure switch fails.

## HOW THE PRESSURE ACCUMULATOR WORKS

- Factory installed precharged air cushion.
- When pump starts, water enters the reservoir. At maximum pressure, system is filled. Pump shuts off.
- When water is demanded, pressure in the air chamber forces water into the system. Pump stays off until minimum pressure is reached. Then pump turns on.

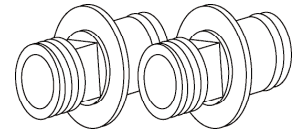


### CAUTION

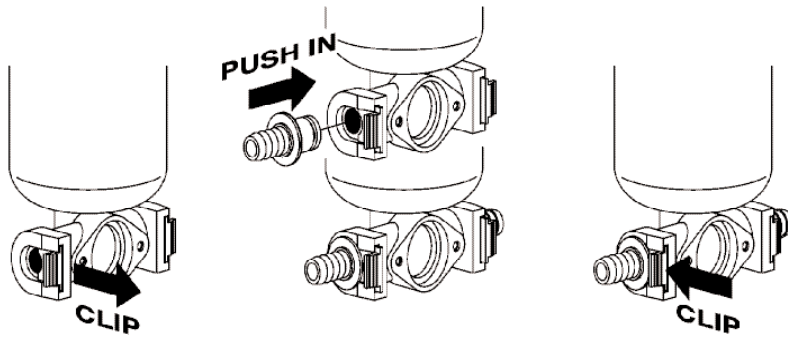
Do not overpressure tank. Pressures over 125 psi (8.6 bar) may rupture tank and cause personal injury.

### REPLACEMENT PORTS

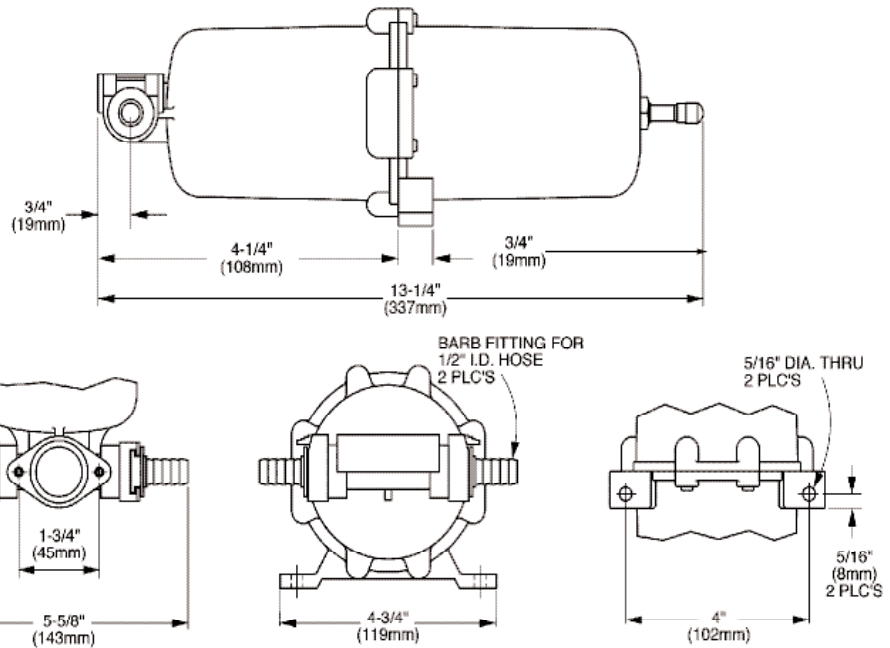
- 1/2" Barb - 30654-1000
- 1/2" Thread - 30649-1000
- (For QUEST \* Type Fittings)



\* QUEST is a trademark of U.S. Brass



## DIMENSIONAL DRAWING



Jabsco

[www.jabsco.com](http://www.jabsco.com)



**ITT Industries**  
Engineered for life

**U.S.A.**  
Flojet  
Cape Ann Industrial Park  
Gloucester, MA 01930  
Tel: 978.281.0440  
Fax: 978.283.2619

**UNITED KINGDOM**  
Flojet  
Bingley Road, Hoddesdon  
Hertfordshire EN11 0BU  
Tel: +44 (0) 1992 450145  
Fax: +44 (0) 1992 467132

**CANADA**  
Fluid Products Canada  
55 Royal Road  
Guelph, Ontario N1H 1T1  
Tel: 519 821.1900  
Fax: 519 821.2569

**JAPAN**  
NHK Jabsco Company Ltd.  
3-21-10, Shin-Yokohama  
Kohoku-Ku, Yokohama, 222-0033  
Tel: 045.475.8906  
Fax: 045.477.1162

**GERMANY**  
Jabsco GmbH  
Oststrasse 28  
22840 Norderstedt  
Tel: +49-40-53 53 73 -0  
Fax: +49-40-53 53 73 -11

**ITALY**  
Jabsco Marine Italia  
Via Tommaseo, 6  
20059 Vimercate, Milano  
Tel: +39 039 685 2323  
Fax: +39 039 666 307

THE PRODUCTS DESCRIBED HEREIN ARE SUBJECT TO THE JABSCO ONE YEAR LIMITED WARRANTY, WHICH IS AVAILABLE FOR YOUR INSPECTION UPON REQUEST.