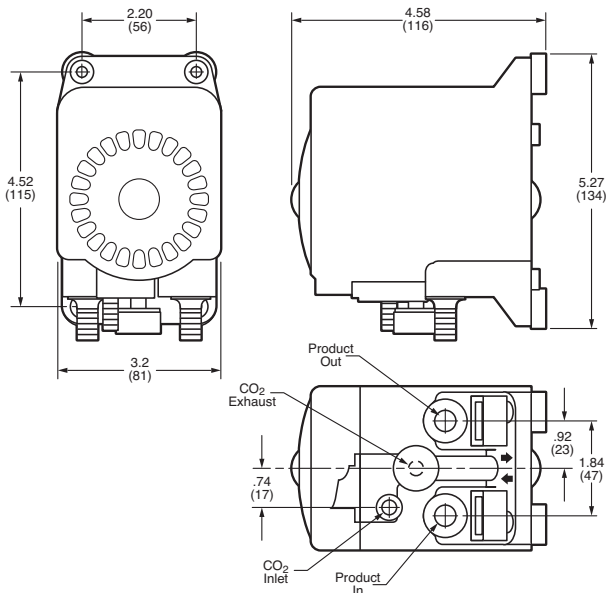


DIMENSIONAL DRAWING

Inches (Millimeters)



Specifications

Pump DesignPositive Displacement, Double Diaphragm
Power SourceCO ₂ Gas, Nitrogen or Compressed Filtered Air
Materials of Construction (wetted parts)Polypropylene, Santoprene®, EPDM, AISI 303 or 304 Stainless Steel
Temperature Limits34° - 120° F (1° - 49° C)
Weight1.24 lbs. (0.56 kg.)
Dimensions5.27" H x 3.21" W x 4.58" D (133.8 mm x 81.5 mm x 116.3 mm)
Displacement3.2 oz. (95 ml) per cycle
Self PrimingUp to 6 ft. (1.83 m)
Operating Pressure20 psi (1.4 bar) min./90 psi (6.2 bar) max.
Liquid Inlet Pressure30 psi (2.1 bar) max.
Flow Rate6.0 oz. (177.0 ml)/sec. - Open Flow
Noise LevelMaximum 80 dB
ApprovalsNSF listed, CE