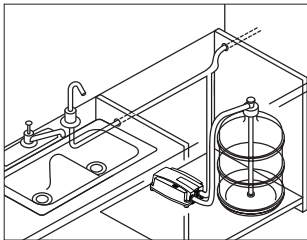


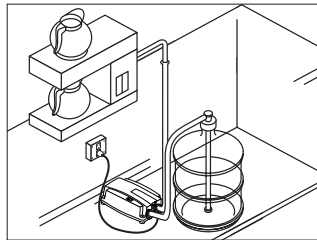
# BOTTLED WATER SYSTEM PLUS | FOR HOME AND COMMERCIAL APPLIANCES

- Over the past 12 years, Flojet Bottled Water Systems have helped serve over two million cups of coffee per day in cafes and coffee shops worldwide.
- Backed by the Flojet brand of electric diaphragm pump technology, a brand enjoying over 35 years of operational excellence.
- Flojet's robust electric diaphragm pump design, proven with over seven million units in service.
- Flojet Bottled Water Systems protect the environment by eliminating the need for a water filter when dispensing water to your refrigerator, preventing over 300,000 filters from being disposed of each year.

## Applications



Refrigerator Dispense

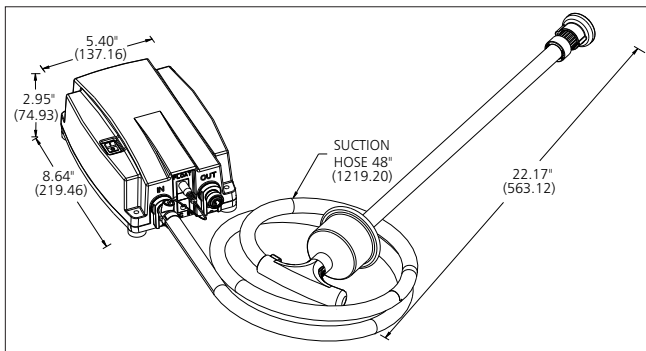


Coffee Maker Dispense



Universal Wall Transformer

## Dimensional Drawing

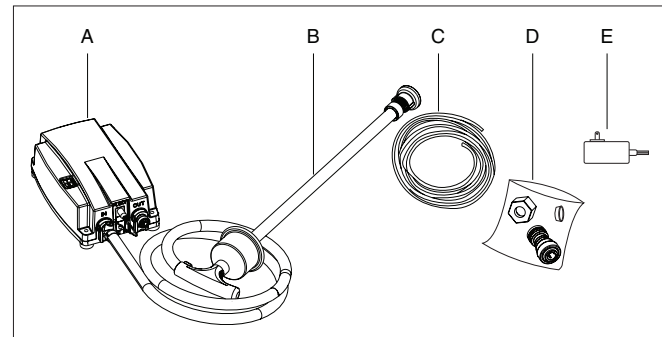


## Specifications

Flow Rate	1.09 GPM (3.875 LPM)
Max Pressure	40 PSI (2.76 BAR)
Dimensions	2.7"H x 5.4"W x 8.5"D (6.86H cm x 13.72W cm x 21.60D cm)
Voltage VAC	115, 230
Amp Draw	115 VAC, 0.5 Amp Max 230 VAC, 0.3 Amp Max
Cycles	AC 50/60 Hz
Weight	4.5 lbs (2.04 kg)

Model Number	Voltage	Flow Rate	Max Pressure
BW4000-000A	115 VAC	1.09 GPM (3.875 LPM)	40 PSI (2.76 BAR)
BW4003-000A	230 VAC	1.09 GPM (3.875 LPM)	40 PSI (2.76 BAR)

## Kit Includes



- A. Pump Module with On/Off Rocker Switch, 3.5 ft. (1m) Cord
- B. Suction Wand and Hose Assembly
- C. 20 ft (6.1m) of 1/4 in. (6.35mm) Discharge Tube
- D. Kit Fitting: Hose port/connector, compression nut and sleeve
- E. Universal wall transformer



Engineered for life

[www.flojet.com](http://www.flojet.com)

**USA**  
ITT Corporation  
666 Dyer Road  
Santa Ana, California 92705  
Tel: (715) 557 4700  
Fax: (714) 628 8478

**UK**  
ITT Industries  
Bingley Road, Hoddesdon  
Hertfordshire EN11 0BU  
Tel: +44 (0) 1992 450145  
Fax: +44 (0) 1992 467132

**GERMANY**  
ITT Corporation  
Oststrasse 28  
22844 Norderstedt  
Tel: +49-40-53 53 73-0  
Fax: +49-40-53 53 73-11

**CHINA**  
ITT Corporation  
30/F, Tower A Hongqiao City Center of Shanghai  
100 Zunyi Road, Shanghai 200051, China  
Tel: + (86) 21 2208 2888  
Fax: + (86) 21 2208 2999

**ITALY**  
ITT Corporation  
Via Tommaseo, 6  
20059 Vimercate, Milano  
Tel: +39 039 685 2323  
Fax: +39 039 666 307

Warranty: All products of the company are sold and all services of the company are offered subject to the company's warranty and terms and conditions of sale, copies of which will be furnished upon request. The information provided herein is for guidance only, it does not constitute a guarantee of the performance or specification of any individual product or component.