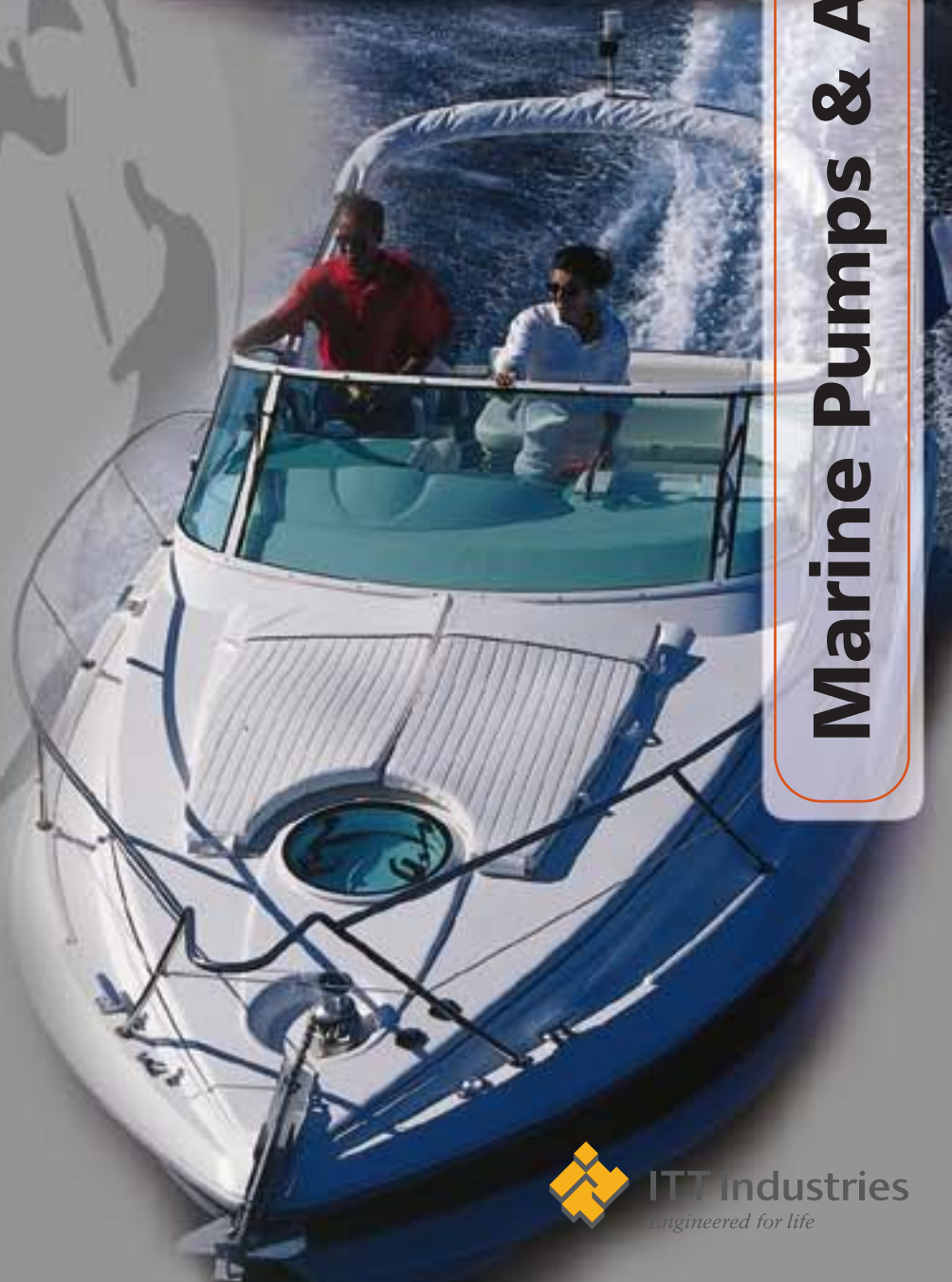


FLOJET



Marine Pumps & Accessories



ITT Industries
Engineered for life



Company Profile & Contents

FLOJET Corporation is the leading manufacturer of marine pumps and accessories. With over 20 years experience in pump design and manufacturing, FLOJET is committed to providing quality products for your boating needs. With sales and manufacturing facilities in both the United States and United Kingdom and representatives around the world, we are committed to offering the finest products and service available.

Sensor VSD™ Water System Pumps

NEW! Sensor VSD 1

Bilge Pumps

Quad II 2

Shower Drain Pumps

Quad II 2

Water Jet Washdown Pumps

Quad II Premium Plus Models 3

Quad II Premium Models..... 3

Water System Pumps

4405 Series Water System with Bypass 4

4305 Series Water System 4

4325 Series Heavy Duty Water System..... 5

2840 Series High Volume Water Pressure System .. 5

General Purpose & Bait Tank Pumps

4105 Series 6

4125 Series 6

LF-12 & Duplex Diaphragm Pumps

NEW! Automatic & Manual Single-Fixture

Demand Water System Pump LF-12 Series 7

Duplex Water System Pumps & Shower Drain Pump

2100 Series Water System Pump 7

2100 Series Shower Drain Pump 7

Quad II Accessories

Water Pressure Regulators..... 4

Accumulator Tank 5

Port System..... 8

Inline Strainers 8

Washdown Pressure Nozzle..... 8

Quad II Service Parts

Quad II Service Parts 9



All motors meet U.S. Coast Guard Electrical Requirements

ISO 8846
Marine

ISO 8849
Marine



CE certified motors are available. Add prefix "R" to pump model number when ordering (i.e. R4325-143A).



usa

Flojet, 20 Icon, Foothill Ranch, CA 92610 USA
Tel: +1 949 859 4945 Fax: +1 949 859 1153



uk

Jabsco, Bingley Road, Hoddesdon, Hertfordshire EN11 0BU
Tel: +44 (0) 1992 450 145 Fax: +44 (0) 1992 467 132



canada

Fluid Products Canada, 55 Royal Road, Guelph, Ontario N1H 1T1
Tel: +1 519 821 1900 Fax: +1 519 821 2569



japan

NHK Jabsco Co Ltd, 3-21-10, Shin-Yokohama, Kohoku-ku, Yokohama 222
Tel: +81 (0) 45 475 8906 Fax: +81 (0) 45 475 8908



germany

Jabsco GmbH, Oststraße 28, 22844 Norderstedt
Tel: +49 (0) 40 53 53 73 0 Fax: +49 (0) 40 53 53 73 11



Sensor VSD™ Constant Pressure Water System Pumps



Sensor VSD™ Water System Pumps

New pressure sensor controlled, multi-outlet water pressure pumps, with variable speed drive, serve 1 - 5 1/2" outlets. Motor speed is electronically controlled to maintain steady flow and constant pressure. Sensor VSD™ accepts from 10 to 29 Volt dc for use with 12 or 24 Volt dc power. Amp draw reduces as flow reduces to conserve energy, ranging from less than 1 amp to a maximum of 10 amps.

- Unique constant water pressure - NO pressure switch
- Electronically controlled variable flow
- Up to 4.5 gpm (17 lpm) output
- Self priming up to 10ft (3m)
- Gives constant flow and hot water mix
- Eliminates accumulator tank
- Runs silently under normal use
- Automatically adjusts to 12 Volt dc or 24 Volt dc power input
- Conserves battery power - uses lower amps at lower flow
- True sensor regulated water pressure
- Thermal overload protection automatically stops motor should it overheat due to overload, with auto re-start feature
- Diaphragm design allows extended dry running
- ISO 8846 MARINE (Ignition Protection)

- Fitting:** Connections for 3/4" (19mm) hose barb or 1/2"-14 pipe.
- Size:** R4515 - 9.0" L x 6.3" W x 3.75" H (22cm x 16cm x 9.5cm)
R4525 - 10.3" L x 6.3" W x 3.75" H (25.2cm x 16cm x 9.5cm)
- Weight:** R4515 - 4.3 lb (2.0 kg)
R4525 - 6.3 lb (3.0 kg)
- Flow:** R4515 - 0-3.7 gpm (0-14 lpm)
R4525 - 0-4.5 gpm (0-17 lpm)
- Running pressure:** R4515 - 25 psi (1.7 bar)
R4525 - 30 psi (2.1 bar)
- Shut-off pressure:** R4515 - 35 psi (2.4 bar)
R4525 - 40 psi (2.8 bar)
- R4515-743A** Sensor VSD™ 3.7, 12-24 Volt dc model, fuse 15 amp.
- R4525-743A** Sensor VSD™ 4.5, 12-24 Volt dc model, fuse 15 amp.
- 81000-346** Instruction Sheet.

Note: Sensor VSD™ pumps require a battery to be installed in the DC power supply when using an AC to DC converter or battery charging system.



Bilge & Shower Drain Pumps



Quad II Bilge Pumps

- Self primes up to 10 feet (3m) above the bilge
- Runs dry without damage to the pump
- Manual on/off switch or automatic level control may be connected to pump (Not provided)
- Discharges over 5 gpm (18.9 lpm)
- Draws only 8.0 Amps at 10 psi
- Available in 12, 24 & 32 Volts dc
- Includes plug-in ports for easy installation:
Two 3/4" (19mm) hose barb ports
Two garden hose ports
- Also includes new 3/4" (19mm) hose barb inlet strainer

Size: 3.75" H x 6.3" W x 9.9" L (95 x 160 x 252 mm)

Shp. Wt: 6.0 lb (2.8 kg)

Service kit: 20409-054

Inst. Sheet: 81000-083

Model	Volts dc	Open Flow gpm (lpm)	Amps @ 10 psi (0.7 bar)	Strainer Included
4125-114	12	5.0 (18.9)	8.0	Yes
4125-314	24	5.0 (18.9)	3.6	Yes
4125-414	32	5.0 (18.9)	2.8	Yes

ISO 8849 Certification

Pressure	0kPa	10kPa	20kPa
Litres/min	18.9	17.5	15.0



Quad II Shower Drain Pumps

- Transfer pump for shower and grey water
- Runs dry without damage to the pump
- Manual on/off switch or automatic level control may be connected to pump (Not provided)
- Available in 12 & 24 Volts dc
- Includes plug-in ports for easy installation:
Two 1/2" (13mm) barb ports
- Install with a new FLOJET series strainer (not included, see page 8)
- 3/4" (19mm) port fittings and strainer also available (see page 8)

Size: 3.75" H x 6.3" W x 8.2" L (95 x 160 x 208 mm)

Shp. Wt: 3.9 lb (1.8 kg)

Service kit: 20409-043

Inst. Sheet: 81000-082

Model	Volts dc	Open Flow gpm (lpm)	Amps @ 10 psi (0.7 bar)	Strainer Included
4105-143	12	3.3 (12.5)	4.0	No
4105-343	24	3.3 (12.5)	2.0	No





Quad II Washdown Pumps

- Automatic high performance pump for deck and anchor wash down
- Self-priming
- Automatic pump shut-off feature when hose nozzle is in off position
- For fresh or salt water use
- May also be used for full flow bait tank circulation
- Includes plug-in ports for easy installation:
Two 3/4" (19mm) hose barb ports
Two garden hose ports
- Pressure nozzle, non corrosive (see page 8) and 3/4" (19mm) hose barb inline strainer



Premium Plus Models

- Delivers over 4.5 gpm (17.0 lpm)
- Powerful favorite in the sport fishing, commercial fishing and work boat markets
- 'A' includes strainer; 'L' includes nozzle and strainer

Size: 3.75" H x 6.3" W x 9.9" L (95 x 160 x 252 mm)

Shp. Wt: 6.0 lb. (2.8 kg.)

Pressure: 20-40 psi (1.4-2.8 bar)

Service kit: 20409-043

Inst. Sheet: 81000-081

Model	Volts dc	Open Flow gpm (lpm)	Pressure On/Off	Amps Nom	Strainer Incl.	Nozzle Incl.
4325-143A	12	4.5 (17)	20/40	6.0*	Yes	No
4325-343A	24	4.5 (17)	20/40	3.0	Yes	No
4325-443A	32	4.5 (17)	20/40	2.0	Yes	No
4325-143L	12	4.5 (17)	20/40	6.0*	Yes	Yes
4325-343L	24	4.5 (17)	20/40	3.0	Yes	Yes
4325-443L	32	4.5 (17)	20/40	2.0	Yes	Yes

* Nominal amp draw @ 10 psi (.7 bar); amp draw @ 40 psi (2.8 bar) = 9.2 amps (12V)

Premium Models

- New larger motor for more power
- Delivers over 3.5 gpm (13.5 lpm)
- Ideal for cleaning pleasure boats, fish boxes, scaling stations, anchor chains & dinghies
- Great value for recreational boat users
- 'A' includes strainer; 'L' includes nozzle and strainer
- May also be used for full flow bait tank circulation

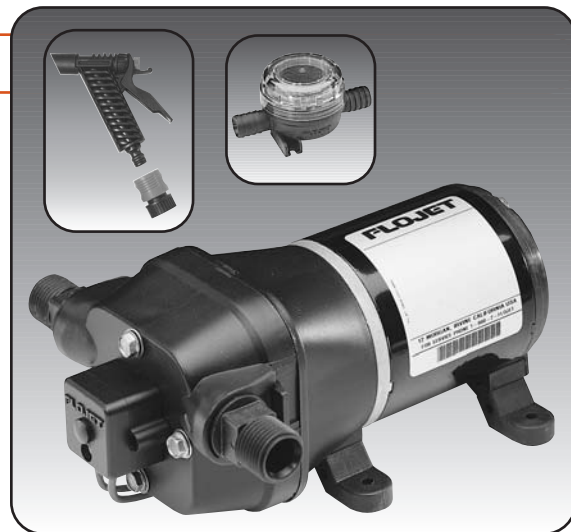
Size: 3.75" H x 6.3" W x 8.6" L (95 x 160 x 218 mm)

Shp. Wt: 3.9 lb. (1.8 kg.)

Pressure: 20-40 psi (1.4-2.8 bar)

Service kit: 20409-043

Inst. Sheet: 81000-267



Model	Volts dc	Open Flow gpm (lpm)	Pressure On/Off	Amps Nom	Strainer Incl.	Nozzle Incl.
4305-144A	12	3.5 (13.5)	20-40	5.0*	Yes	No
4305-144L	12	3.5 (13.5)	20-40	5.0*	Yes	Yes

* Nominal amp draw @ 10 psi (.7 bar); amp draw @ 40 psi (2.8 bar) = 9.2 amps (12V)



Water System Pumps



4405 Series Water System with Bypass

Model	Volts dc	Open Flow gpm (lpm)	Pressure On/Off	Amps @ 10 psi (0.7 bar)	Strainer Included
4405-143	12	3.3 (12.5)	35 psi	3.9	No
4405-343	24	3.3 (12.5)	35 psi	2.0	No
4405-443	32	3.3 (12.5)	35 psi	1.3	No

- Smooth Water Flow, Pumps over 3.3 gpm (12.5 lpm)
 - Delivers smooth, steady water flow from 1 to 3 gpm (3.8 to 11.4 lpm) without the need for an accumulator tank
 - Special internal bypass feature eliminates pulsating water and pressure switch chatter
 - Designed for up to 5 fixtures
 - Runs dry without harm to the pump
 - Includes plug-in ports for easy installation:
 - Two 1/2" (13mm) Qest ports
 - Two 1/2" (13mm) hose barb ports
 - Install with new FLOJET strainer (not included, see page 8) to protect pump from debris
- Size:** 3.75" H x 6.3" W x 8.2" L (95 x 160 x 208 mm)
- Shp. Wt:** 3.9 lb (1.8 kg)
- Pressure:** 35 psi (2.5 bar)
- Service kit:** 20409-043
- Inst. Sheet:** 81000-224

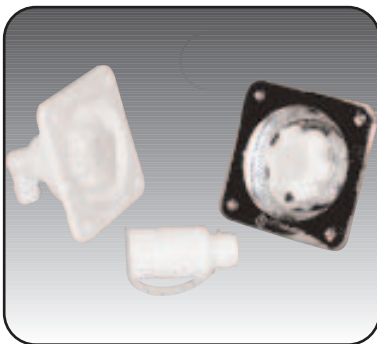
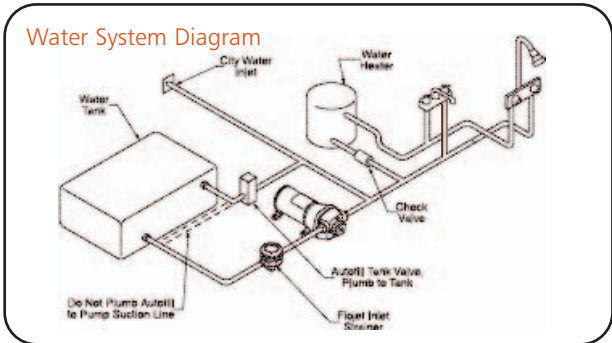


4305 Series Water System

Model	Volts dc	Open Flow gpm (lpm)	Pressure On/Off	Amps @ 10 psi (0.7 bar)	Strainer Included
4305-500	12	3.3 (12.5)	35 psi	3.9	No
4305-501	24	3.3 (12.5)	35 psi	2.0	No
4305-502*	24	2.3 (8.7)	20 psi	1.8	No
4305-503*	12	2.3 (8.7)	20 psi	2.4	No

- Smooth Water Flow, Pumps over 3.3 gpm (12.5 lpm)
 - Provides quiet operation
 - May be used with an accumulator tank
 - Designed for up to 5 fixtures
 - Runs dry without harm to the pump
 - Includes plug-in ports for easy installation:
 - Two 1/2" (13mm) Qest ports
 - Two 1/2" (13mm) hose barb ports
 - Install with new FLOJET strainer (not included, see page 8) to protect pump from debris
- Size:** 3.75" H x 6.3" W x 8.2" L (95 x 160 x 208 mm)
- Shp. Wt:** 3.9 lb (1.8 kg)
- Pressure:** 35 psi (2.5 bar)
20 psi (1.3 bar)
- Service kit:** 20409-043
- Inst. Sheet:** 81000-074

*Low Flow/Low Pressure Models



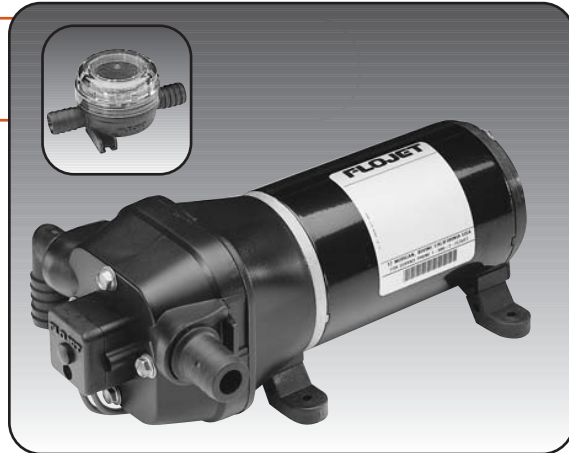
Water Pressure Regulators

- Water Pressure Regulators protect your boat's water system from damaging pressures of unregulated city water hook-ups. Available in two models - permanently installed flush mount or in-line..
 - Limits inlet water pressure to 45 psi (3.1 bar).
 - Maintains regulated pressure at various flow rates.
 - Compact in-line model only 3" (77mm) long.
 - Flush model has unique swivel elbow output.
 - Manufactured of food-grade materials.
 - Meets all applicable codes and approvals.
 - Removable strainer protects plumbing.
- Fitting:** Flush connections for GHT (f) inlet and 1/2" - 14 pipe outlet.
In-line connections GHT (f) inlet and GHT (m) outlet.
- Flush size:** 3-1/2" deep x 4-1/8" high x 4-3/8" wide (88mm x 13mm x 13mm)
- In-Line size:** 3" long x 1-1/2" diameter (77mm x 39mm)
- Weight:** Flush 0.41lb (0.2kg)
In-line 0.2lb (0.1kg)
- 01750-045** In-Line, Bone, 45psi (3.1 bar)
- 01750-145** Flush, Bone, 45psi (3.1 bar)
- 01750-245** Flush, Chrome, 45psi (3.1 bar)



4325 Series Heavy Duty Water System

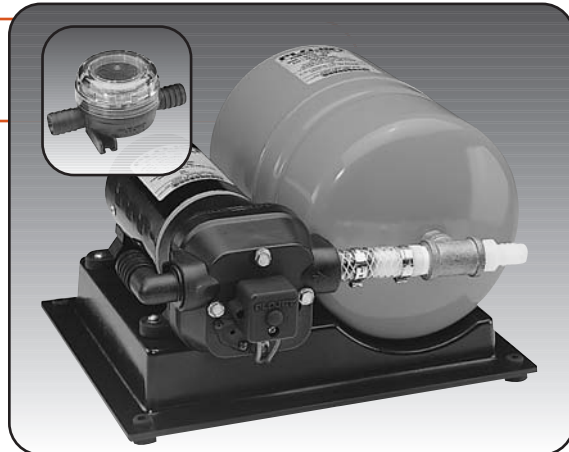
- For use with a 1 to 5 gallon (3 to 20 liter) accumulator tank - 4.5 gpm (17.0 lpm)
 - Designed for 6 or more fixtures
 - Provides quiet operation and smooth flow
 - Runs dry without harm to the pump
 - Includes plug-in ports for easy installation:
Two 3/4" (19mm) hose barb ports
Two 3/4" (19mm) garden hose ports
 - Install with new FLOJET strainer (included) to protect pump from debris
- Size:** 3.75" H x 6.3" W x 9.9" L (95 x 160 x 252 mm)
- Shp. Wt:** 6.0 lb (2.8 kg)
- Pressure:** 40 psi (2.8 bar)
- Service kit:** 20409-043
- Inst. Sheet:** 81000-074



Model	Volts dc	Open Flow gpm (lpm)	Pressure On/Off	Amps @ 10 psi (0.7 bar)	Strainer Included
4325-143	12	4.5 (17)	40	6.0	Yes
4325-343	24	4.5 (17)	40	2.5	Yes
4325-443	32	4.5 (17)	40	2.0	Yes

High Volume Water Pressure System

- Integrated pump and accumulator tank system
 - Compact design installs easily in convenient locations
 - May be mounted vertically or horizontally
 - Supplies 4.5 gpm (17.0 lpm) up to 6 gpm (22.7 lpm) with fully charged tank
 - Can run dry without harm
 - FDA materials in pump and accumulator tank for drinking water
 - Self-priming up to 10 ft. (3.1m)
 - Includes assorted ports for easy installation
 - Accumulator tank has total volume of 1.1 gallon (4.1 liter)
- Size:** 7.2" H x 11.3" W x 12.8" D (191 x 286 x 325 mm)
- Shp. Wt:** 8.8 lb (4 kg)
- Service kit:** 20409-043
- Inst. Sheet:** 81000-290



Model	Volts	Open Flow gpm (lpm)	Pressure Shut Off	Max Amps
2840-100	12V dc	4.5 (17)	40 psi (2.8 bar)	10.0
2840-110	12V dc	3.5 (13.5)	40 psi (2.8 bar)	8.0
2840-120	12V dc	3.3 (12.5)	40 psi (2.8 bar)	7.0
2840-300	24V dc	4.5 (17)	40 psi (2.8 bar)	5.0
2840-400	32V dc	4.5 (17)	40 psi (2.8 bar)	3.5
2840-000	115V ac	4.5 (17)	40 psi (2.8 bar)	1.5

Pressurized 1 Litre Accumulator Tank

- Improves all pressure controlled Water Systems.
 - Smother flow, quieter water systems.
 - Internal rubber bladder eliminates maintenance, and allows universal mounting.
 - Better control of hot water temperatures.
 - Simply fitted to new or existing systems.
 - Snap-in port fittings.
- Fitting:** Connections for 1/2"-14 Threads (2ea.); 1/2" (13mm) Barb Straight and 1/2" (13mm) Barb Elbow.
- Size:** 4-1/8" deep x 4-3/4" wide x 13-1/4" high (11cm x 12cm x 34cm)
- Weight:** 1.6lb (0.7kg)
- 30573-000** Pressurized 1 litre Accumulator Tank.
- 20381-002** Snap-in port fittings for 1/2" (13mm) i.d. hose.
- 20381-000** Snap-in port fittings for 1/2" - 14 pipe.
- Optional fittings available, see page 8



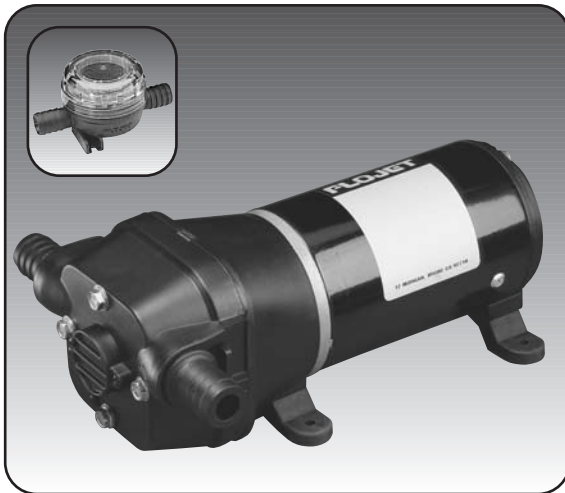


General Purpose & Bait Tank Pumps

Quad II General Purpose, A/C Circulation, Bait Tank and Livewell Pumps



Model 4105 Series - 3.3 gpm (12.5 lpm.)



Model 4125 Series - 5.0 gpm (18.9 lpm.)

General Purpose Applications:

- Diesel Fuel Transfer
- Liquid Transfer Jobs
- Dockside Pumping
- Dewatering or Circulation
- Engine Oil Changing
- Bait tank / Livewell pumps are calibrated for correct water movement (6 water changes per hour). Important for maintaining lively bait.
- Models 4105-501 & 4105-503 for use with 15 to 30 gallon tanks (60 to 120 liter)
- Models 4125-502 & 4125-504 for use with 30 to 50 gallon tanks (120 to 200 liter)
- General purpose pumps are fitted with oil resistant elastomers, allowing pumping of diesel fuel, used warm engine oil and liquid transfer or dewatering.
- Self-priming. May be mounted above the water line.
- Designed with heavy duty ball bearings, thermal overload protection and a continuous duty motor for long life
- Use models 4105-512 & 4105-524 for raw water cooling of A/C and refrigeration units
- Runs dry without harm to the pump
- 3.3 gpm (12.5 lpm) & 5.0 gpm (18.9 lpm) available in 12 & 24 Volt dc
- Includes plug-in ports for easy installation:
 - Two garden hose ports
 - Two 3/4" (19mm) hose barb ports
- Also includes a 3/4" (19mm) inlet strainer

4105 Models:

Size: 3.75" H x 6.3" W x 8.2" L (95 x 160 x 208 mm)
Shp. Wt: 3.9 lb (1.8 kg)

4125 Models:

Size: 3.75" H x 6.3" W x 9.9" L (95 x 160 x 252 mm)
Shp. Wt: 6.0 lb (2.8 kg)

Service kit: 20409-053

Inst. Sheet: 81000-124 (-414 see 81000-083)
 (-512/-524 see 81000-326)

Model	Volts dc	Amps @ 10 psi (0.7 bar)	Open Flow gpm (lpm)	Strainer Included
4105-501	12	3.6	3.3 (12.5)	Yes
4105-503	24	1.8	3.3 (12.5)	Yes
4105-512*	12	1.2	1.5 (5.7)	No
4105-524*	24	1.0	2.0 (7.5)	No
4125-502	12	8.0	5.0 (18.9)	Yes
4125-504	24	3.6	5.0 (18.9)	Yes
4125-414	32	2.8	5.0 (18.9)	Yes

* This model designed for continuous duty.

NOTE

Positive displacement pumps, like those on this page **must be** operated with an on/off switch. **Do not** shut off these pumps with a valve.

WARNING



Pumps are not to be used for pumping gasoline or flammable liquids. Explosion and death could occur.





Automatic and Manual Single Fixture Demand Pumps

LF-12 Series Pumps

- Compact automatic demand water system pump
- Supplies up to 3 fixtures, one or two at a time
- Built-in pressure switch automatically starts and stops pump when faucet is opened and closed
- Self-priming so pump can be located above water tank
- Runs dry for extended periods of time
- Built-in thermal protector
- Also available without switch for manual application

Size: 2.3" H x 3.5" W x 6.2" L
(58 x 89 x 157 mm)

Weight: 1.3 lb (.6 kg)

Inst. Sheet: 81000-309



Model	Volts dc	Open Flow gpm (lpm)	Pressure On/Off psi (bar)	Amps @ 10 psi (0.7 bar)	Strainer Included
LF/22202	12	1.1 (4.3)	22/35 psi (1.5/2.4 bar)	1.9	No
LF/22002	12	1.1 (4.3)	N/A	1.9	No

Duplex Water System Pumps & Shower Drain Pump

2100 Series Water System Pump

- For use with 1, 2 or 3 fixture systems
- Supplies 1.3 to 2.3 gpm (5 to 8.7 lpm)
- New long life pressure switch
- Fully automatic
- Install with FLOJET strainer (see page 8)



2100 Series Shower Drain Pump

- Model 2100-694
- Must be used with external switch and inlet strainer
- Install with FLOJET strainer (see page 8)

Size: 3.75" H x 8.2" L x 3.25" W
(95 x 208 x 83 mm)

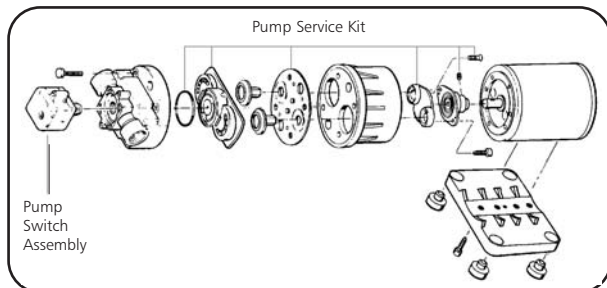
Shp. Wt: 4.0 lb (1.8 kg)

Inst. Sheet: 81000-127,
81000-260 (-916/-919)



Model	Volts dc	Open Flow gpm (lpm)	Pressure On/Off psi (bar)	Amps @ 10 psi (0.7 bar)	Strainer Included
2100-12	12	2.3 (8.7)	15-27 (1-1.9)	2.5	No
2100-694‡	12	2.3 (8.7)	N/A	2.5	No
2100-740	24	2.3 (8.7)	15-27 (1-1.9)	1.5	No
2100-750**	12	2.3 (8.7)	15-27 (1-1.9)	2.5	No
2100-916*	12	1.4 (5.3)	10-15 (0.7-1.0)	1.9	No
2100-919	12	1.3 (4.9)	30-45 (2.1-3.2)	2.5	No

*Low pressure export model **Includes fuse holder and 7 Amp fuse
‡ Pump ports are 3/8" (9.5mm) NPTF. Port adapters must be ordered separately.

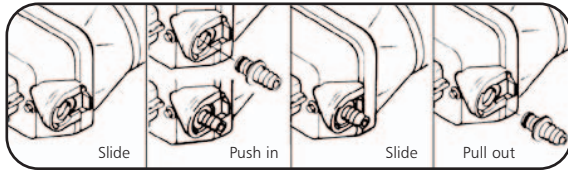


Model	Service Parts		
	Motor	Pump Service Kit	Pressure Switch Assembly
2100-12	02009-004C	21046-057	02095-105
2100-694	02009-004C	21046-057	-
2100-740	02019-001A	21046-057	02095-105
2100-916	02009-043A	21046-057	02095-108
2100-919	02009-008A	21046-187	02095-103



Quad II Accessories

'Quick-Connect' Port System



Snap-in seal tight ports

Installation:

1. Move slide back.
2. Push port all the way in.
3. Move slide forward to lock.

Removal:

1. Move slide back.
2. Pull port out of pump body.

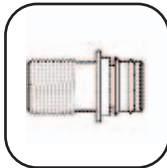
QEST is a registered trade mark of U. S. Brass

Quick-Connect Quad port system makes hose removal easy and allows for fast winterizing and system draining. All Quad ports fit directly into pump and are compatible with new Quad II pumps.

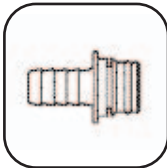
- Two ports are included in each Quick-Connect package.

Packed: 2 fittings per bag

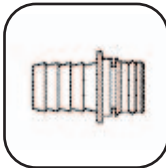
- 20381-000** Quad Port x 1/2" (13mm) Male Qest, straight
- 20381-002** Quad Port x 1/2" (13mm) hose barb, straight
- 20381-003** Hose Barb Ports x 5/8" (16mm), straight
- 20381-006** Quad Port x 3/4" (19mm) hose barb, straight
- 20381-007** Quad Port x garden hose adapter
- 20381-008** Quad Port x 1/2" (13mm) Male Qest, 90° Elbow
- 20381-009** Quad Port x 1/2" (13mm) hose barb, 90° Elbow
- 20381-010** Quad Port x 3/4" (19mm) hose barb, 90° Elbow
- 20381-024** Quad Port x 10/13mm, hose barb 90° Elbow (3/8")
- 20381-026** Quad Port x 10/13mm, straight hose barb (3/8")



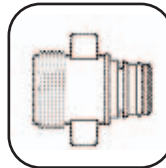
20381-000



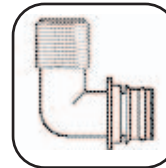
20381-026
20381-002
20381-003



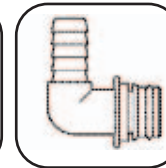
20381-006



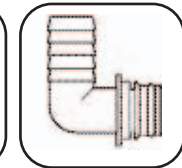
20381-007



20381-008



20381-024
20381-009



20381-010

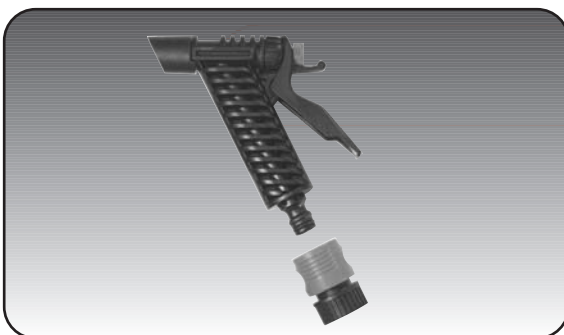


Inlet Strainers

- Keeps debris and particles from entering your FLOJET pump
- Plug-in Quad Port 90° strainer allows for easy installation and compatibility
- Threaded bowl makes cleaning quick and easy
- Stainless Steel 40 mesh screen is recommended for fresh water applications, 20 mesh for raw water and gray water applications.

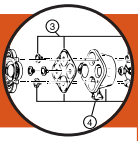
Part No	Inlet	Outlet	Screen
1720-000	3/4" (19mm) Barb	3/4" (19mm) Barb	20 Mesh
1720-002	1/2" (13mm) Barb	1/2" (13mm) Barb	20 Mesh
1720-012	1/2" (13mm) Barb	Quad Port 90°	20 Mesh
1720-023	3/8" (9.5mm) Barb	3/8" (9.5mm) NTP 90°	20 Mesh
1740-000	3/4" (19mm) Barb	3/4" (19mm) Barb	40 Mesh
1740-002	1/2" (13mm) Barb	1/2" (13mm) Barb	40 Mesh
1740-003	3/8" (9.5mm) Barb	3/8" (9.5mm) Barb	40 Mesh

Part No	Inlet	Outlet	Screen
1740-004	1/2" (13mm) M Oest	1/2" (13mm) M Qest	40 Mesh
1740-010	3/4" (19mm) Barb	Quad Port 90°	40 Mesh
1740-012	1/2" (13mm) Barb	Quad Port 90°	40 Mesh
1740-014	1/2" (13mm) M Qest	Quad Port 90°	40 Mesh
20420-020	Strainer Repair Kit		20 Mesh
20420-040	Strainer Repair Kit		40 Mesh
All Quad Ports are 90° elbows			



Washdown Pressure Nozzle Model 20446-000

- Operates at maximum performance with FLOJET Premium and Premium Plus Washdown Pumps
- Corrosion-free, tough thermoplastic material and stainless steel spring
- 'Quick-Disconnect' allows you to remove nozzle while pump is on
- Spray range from fine mist to full volume blast
- Adjustable "lock in" position allows for effortless washdown

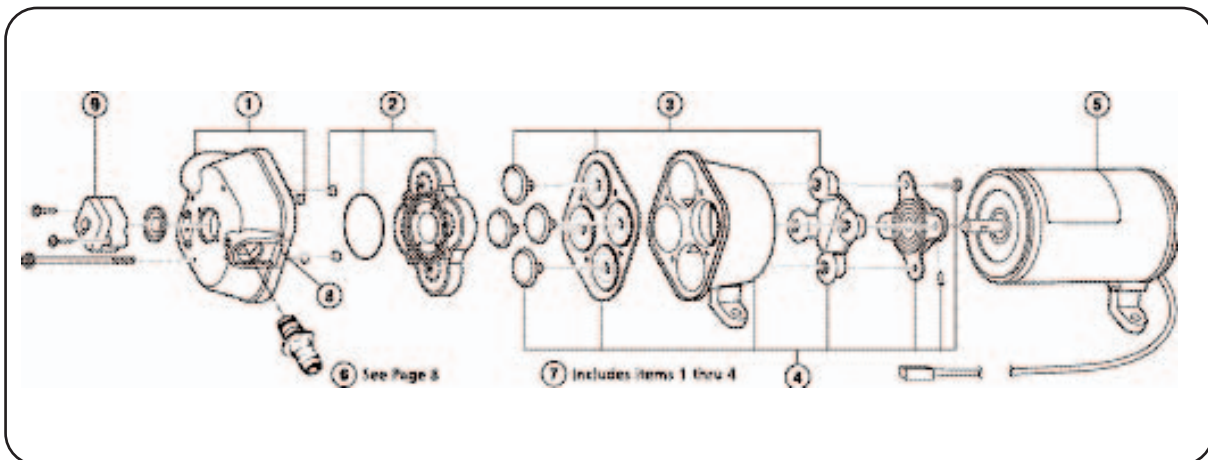


Quad II Service Parts

QUAD II Service Parts

KEY Model	1 Upper Hsng	2 Valve Assy	3 Diaphragm	4 Lower Hsng	5 Motor	7 Pump Head	8 Side Clips	9 Prsr Switch	Base Plate
4105-114	20404-005	20407-010	20403-050	20419-003	2009-038A	20406-005A	20408-000	-	11028-106
4105-143	20404-004	20407-030	20403-040	20419-001	2009-073A*	20406-004A	20408-000	-	-
4105-314	20404-005	20407-010	20403-050	20419-003	2019-010A	20406-005A	20408-000	-	11028-106
4105-343	20404-004	20407-030	20403-040	20419-001	2019-025A*	20406-004A	20408-000	-	-
4105-414	20404-005	20407-010	20403-050	20419-003	N.A.	20406-005A	20408-000	-	11028-106
4105-501	20404-005	20407-010	20403-050	20419-005	2009-079A*	20406-013A	20408-000	-	-
4105-502	20404-005	20407-010	20403-050	20419-003	2009-042A	20406-005A	20408-000	-	11028-106
4105-503	20404-005	20407-010	20403-050	20419-005	2019-026A*	20406-013A	20408-000	-	-
4125-114	20404-005	20407-010	20403-050	20419-003	2009-080A*	20406-005A	20408-000	-	-
4125-314	20404-005	20407-010	20403-050	20419-003	2019-027A*	20406-005A	20408-000	-	-
4125-414	20404-005	20407-010	20403-050	20419-003	2049-026A*	20406-005A	20408-000	-	-
4125-502	20404-005	20407-010	20403-050	20419-003	2009-080A*	20406-005A	20408-000	-	-
4125-504	20404-005	20407-010	20403-050	20419-003	2019-027A*	20406-005A	20408-000	-	-
4305-143	20404-003	20407-030	20403-040	20419-002	2009-027A	20406-002A	20408-000	2090-118	11028-106
4305-144	20404-003	20407-030	20403-040	20419-011	2009-087A*	20406-011A	20408-000	2090-118	-
4305-343	20404-003	20407-030	20403-040	20419-002	2019-006A	20406-002A	20408-000	2090-118	11028-106
4305-443	20404-003	20407-030	20403-040	20419-002	N.A.	20406-002A	20408-000	2090-118	11028-106
4305-500	20404-008	20407-030	20403-040	20419-001	2009-073A*	20406-007A	20408-000	2090-104	-
4305-501	20404-008	20407-030	20403-040	20419-001	2019-023A*	20406-007A	20408-000	2090-104	-
4305-502	20404-012	20407-030	20403-040	20419-000	2019-023A*	20406-012A	20408-000	2090-108	-
4305-503	20404-012	20407-030	20403-040	20419-000	2009-074A*	20406-012A	20408-000	2090-108	-
4325-143	20404-003	20407-030	20403-040	20419-002	2009-080A*	20406-002A	20408-000	2090-118	-
4325-343	20404-003	20407-030	20403-040	20419-002	2019-027A*	20406-002A	20408-000	2090-118	-
4325-443	20404-003	20407-030	20403-040	20419-002	2049-026A*	20406-002A	20408-000	2090-118	-
4325-504	20404-003	20407-030	20403-040	20419-004	2009-080A*	20406-015A	20408-000	2090-118	-
4405-143	20404-002	20407-030	20403-040	20419-001	2009-073A*	20406-003A	20408-000	2090-104	-
4405-343	20404-002	20407-030	20403-040	20419-001	2019-023A*	20406-003A	20408-000	2090-104	-
4405-443	20404-002	20407-030	20403-040	20419-001	2049-025A*	20406-003A	20408-000	2090-104	-
R4515-743	20404-027	20407-030	20403-040	20419-002	R2009-128A	20406-037A	20408-000	-	-
R4525-743	20404-028	20407-030	20403-040	20419-002	R2009-127A	20406-038A	20408-000	-	-

* Requires new mounting feet (kit 20717-100A) when used with three-footed Quad pumps.



FLOJET

Earned and awarded the ISO 9001 Certification for its quality system, FLOJET Corporation USA has been committed to providing quality products and services worldwide. With over 20 years experience, FLOJET is dedicated to serving you, the customer with representatives worldwide, with an additional sales and manufacturing facility in the United Kingdom.

Flojet



ITT Industries

Engineered for life

Flojet **1-800-2 FLOJET** **USA**
20 Icon, Foothill Ranch, CA 92610
Tel: +1 949 859 4945 Fax: +1 949 859 1153

Jabsco, **UK**
Bingley Road, Hoddesdon, Hertfordshire EN11 0BU
Tel: +44 (0) 1992 450 145 Fax: +44 (0) 1992 467 132

Fluid Products Canada, **CANADA**
55 Royal Road, Guelph, Ontario N1H 1T1
Tel: +1 519 821 1900 Fax: +1 519 821 2569

NHK Jabsco Co Ltd, **JAPAN**
3-21-10, Shin-Yokohama, Kohoku-ku, Yokohama 222
Tel: +81 (0) 45 475 8906 Fax: +81 (0) 45 475 8908

Jabsco GmbH, **GERMANY**
Oststraße 28, 22844 Norderstedt
Tel: +49 (0) 40 53 53 73 0 Fax: +49 (0) 40 53 53 73 11

Discover Flojet at www.flojet.com

Your Local Flojet Distributor

Warranty: All products of the company are sold and all services of the company are offered subject to the company's warranty and terms and conditions of sale, copies of which will be furnished upon request